

# IBM X.25 over TCP/IP for Communication Controller for Linux



## Version 1.2

### Quick Start Guide

This guide is intended to get you started with X.25 over TCP/IP for Communication Controller for Linux (XOT for CCL).



#### Product Overview

The X.25 over TCP/IP for Communication Controller for Linux is an IBM software product that enables X.25 network traffic to be encapsulated and run over TCP/IP networks.

#### 1 Step 1: Access your software

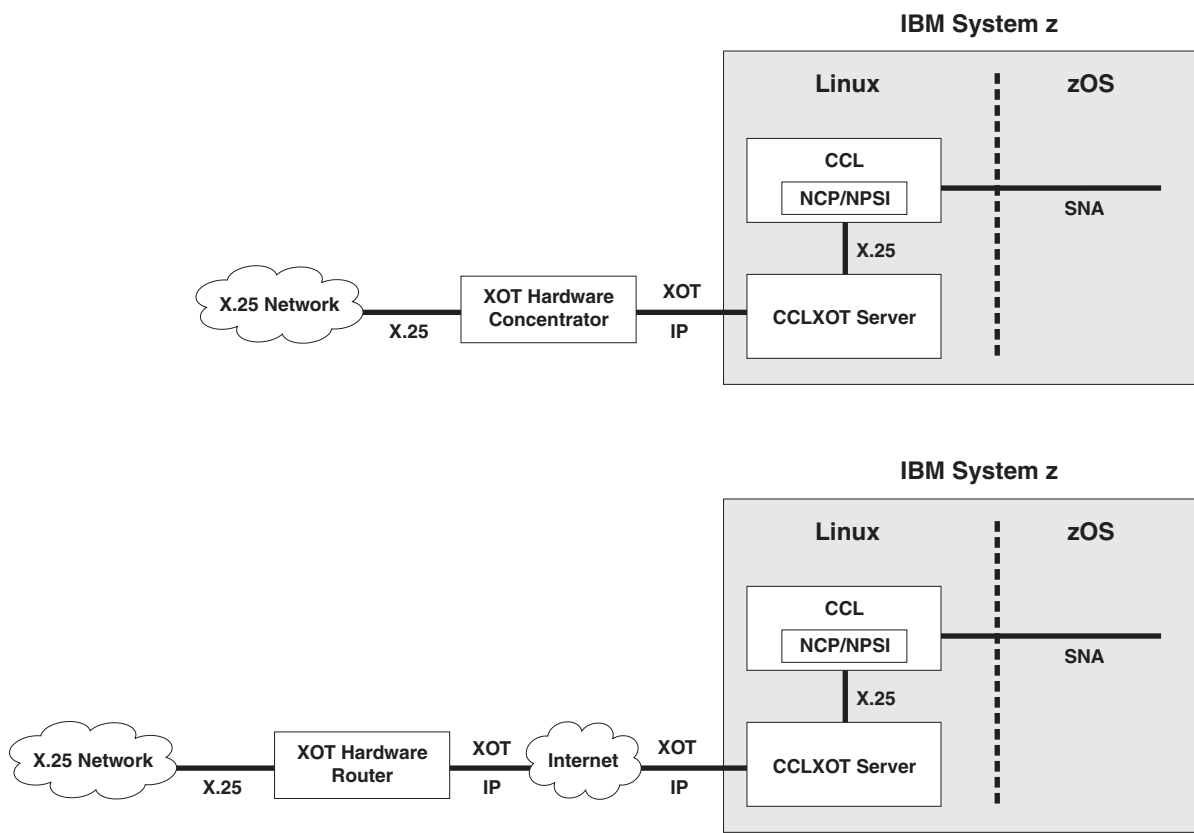
If you download your product from Passport Advantage®, follow the directions in the download document: [www.ibm.com/support/docview.wss?rs=3181&uid=swg24013077](http://www.ibm.com/support/docview.wss?rs=3181&uid=swg24013077)

- This product offering includes:
- X.25 over TCP/IP for Communication Controller for Linux V1.2
  - Quick Start PDF

#### 2 Step 2: Evaluate your hardware and system configuration

See the detailed system requirements document: <http://www.ibm.com/software/network/xot/requirements/>

#### 3 Step 3: Review the base architecture and the installation steps



## 4 Step 4: Access your documentation

? For complete documentation, including installation instructions, see  
<http://www.ibm.com/support/docview.wss?rs=3181&uid=swg27008385>

### More information

? For additional technical resources, see the following Web sites:

For product features, see:  
<http://www.ibm.com/software/network/xot/features/>

For technical support, see:  
<http://www.ibm.com/software/network/xot/support/>

